
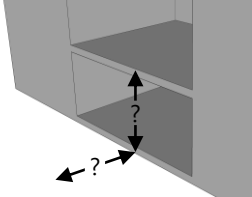
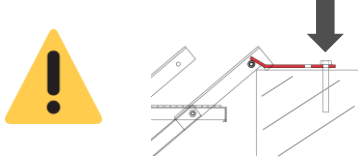
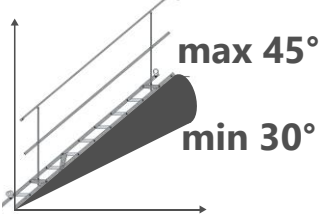

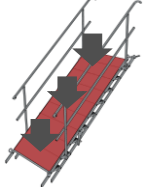
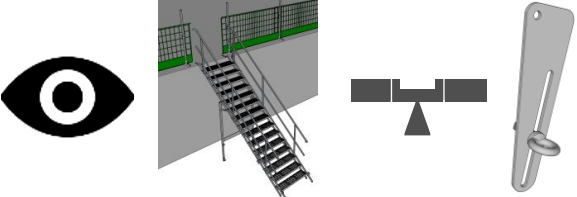



Stairway 1 m



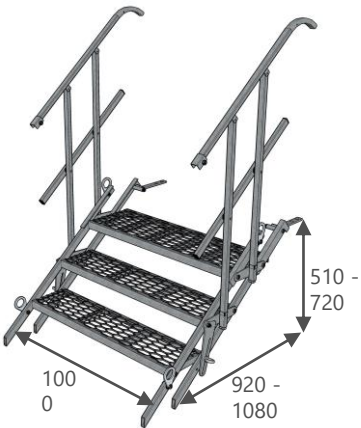
EN 12811-1:2003

General Information

<p>Work safe</p>	
<p>Check the distance and the height</p>	
<p>Anchor the stairway</p>	
<p>Inclination: min 30° - max 45°</p>	
<p>Point load: max. 150 kg</p>	
<p>Distributed load: ≤100 kg/m²</p>	
<p>Check the stairway</p>	
<p>Remove dirt and snow</p>	

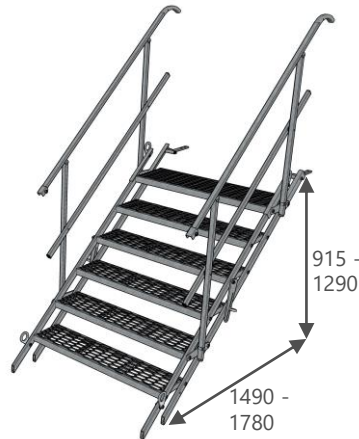
Product Overview

Stairway 1 m / 3 steps
Code: 2079709
Weight: 54 kg



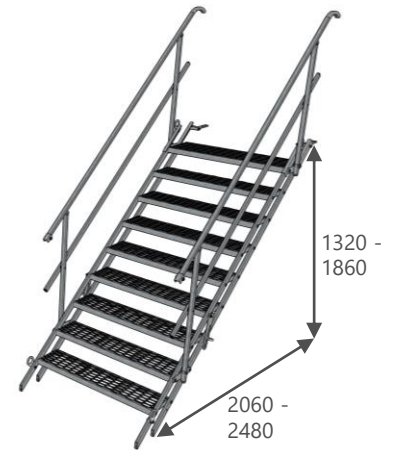
mm

Stairway 1 m / 6 steps
Code: 2079710
Weight: 72 kg



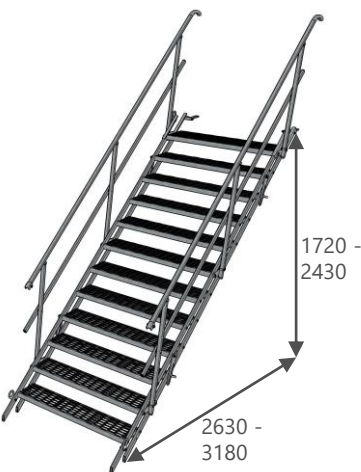
mm

Stairway 1 m / 9 steps
Code: 2079711
Weight: 97 kg



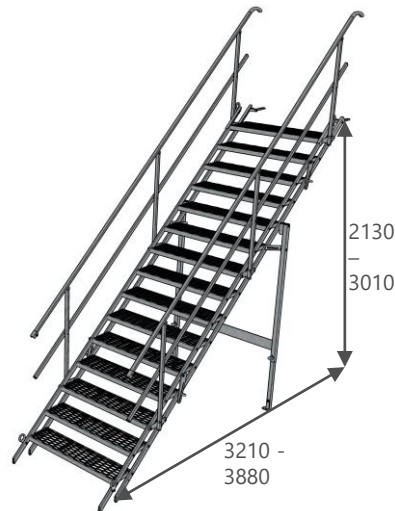
mm

Stairway 1 m / 12 steps
Code: 2079706
Weight: 131 kg



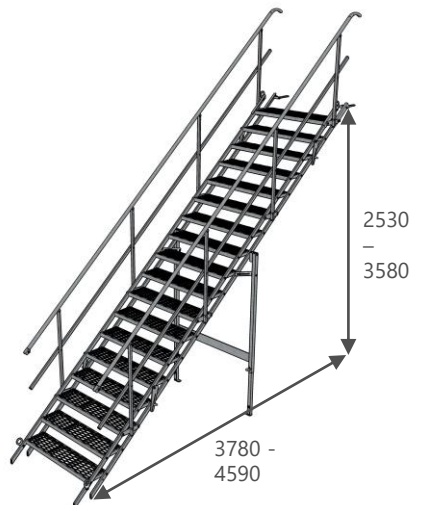
mm

Stairway 1 m / 15 steps
Code: 2079707
Weight: 172 kg



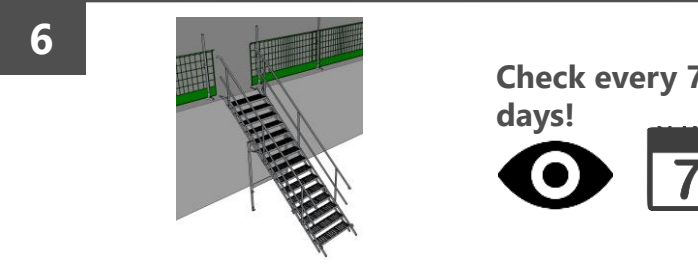
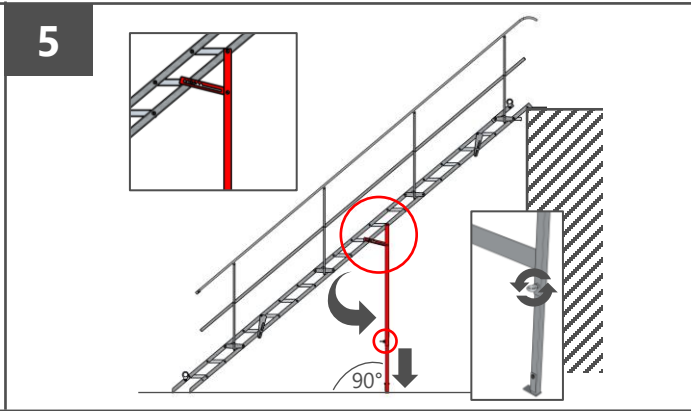
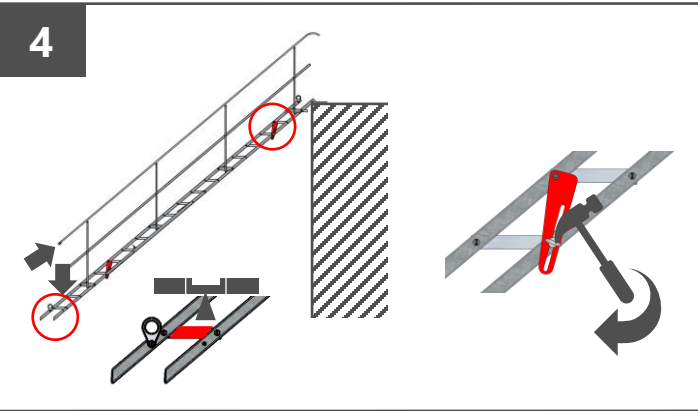
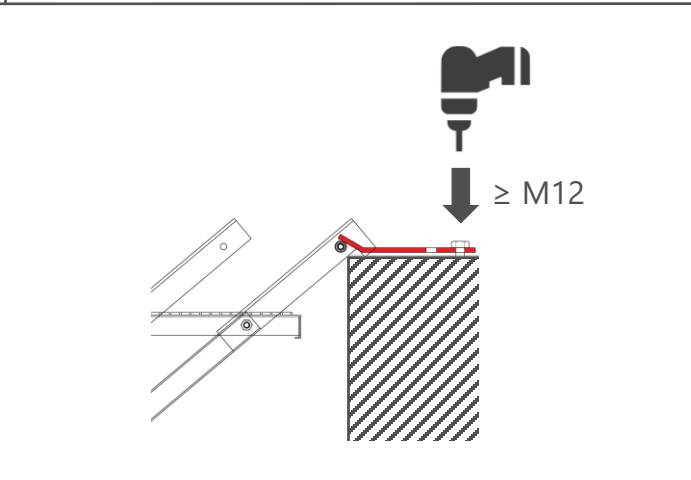
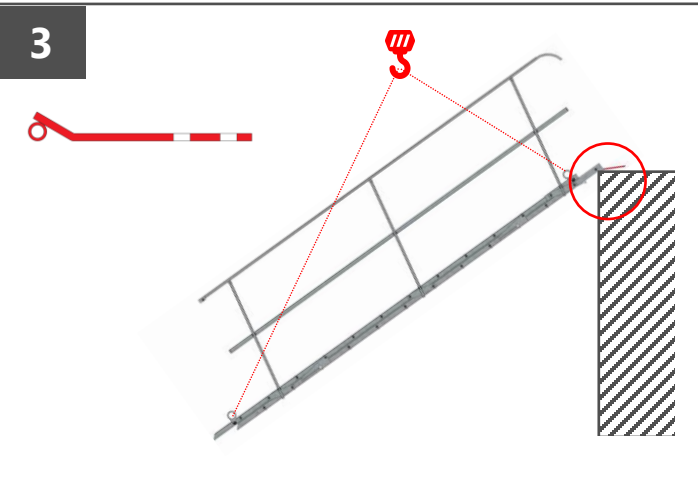
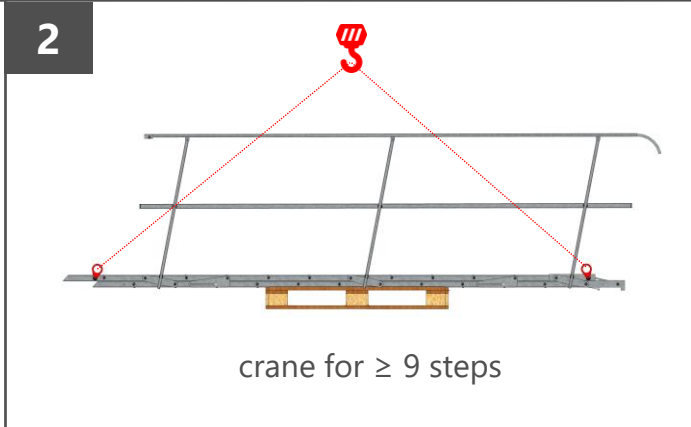
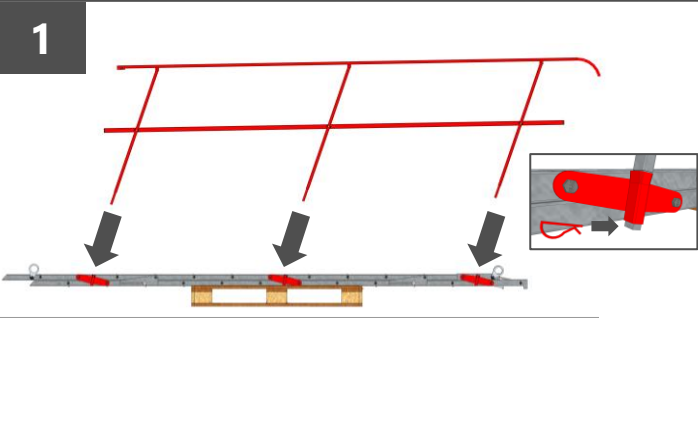
mm

Stairway 1 m / 18 steps
Code: 2079708
Weight: 214 kg



mm

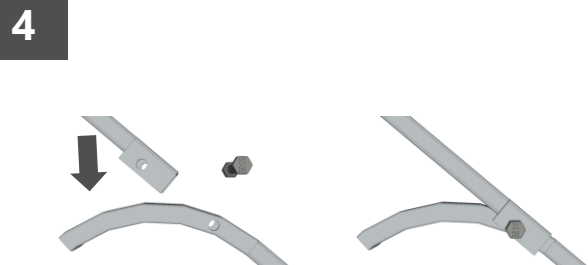
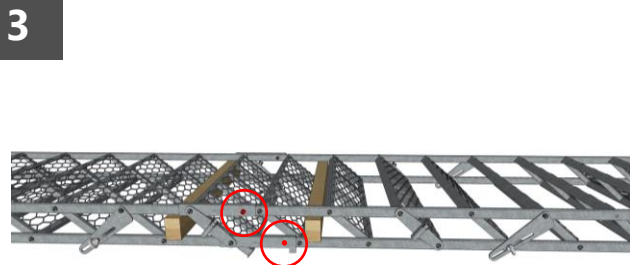
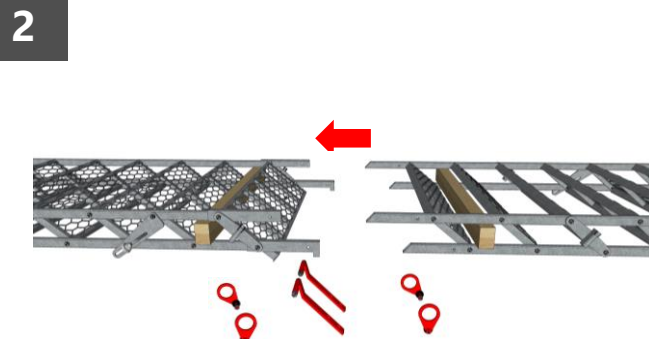
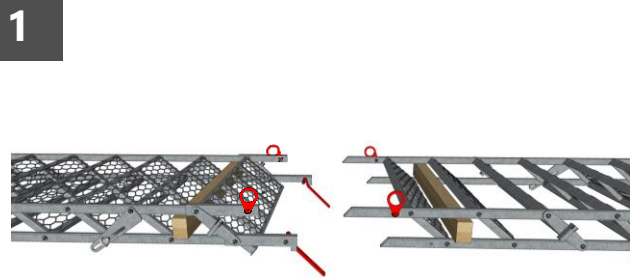
Assembling



Check every 7 days!

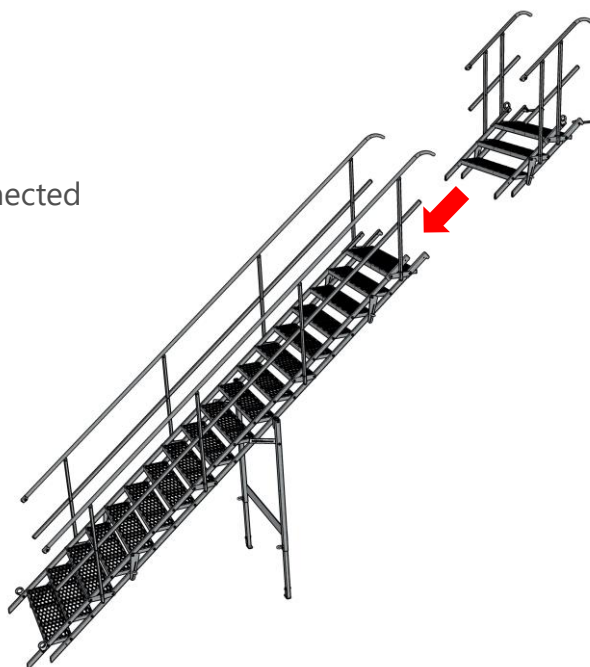


Stair Connection

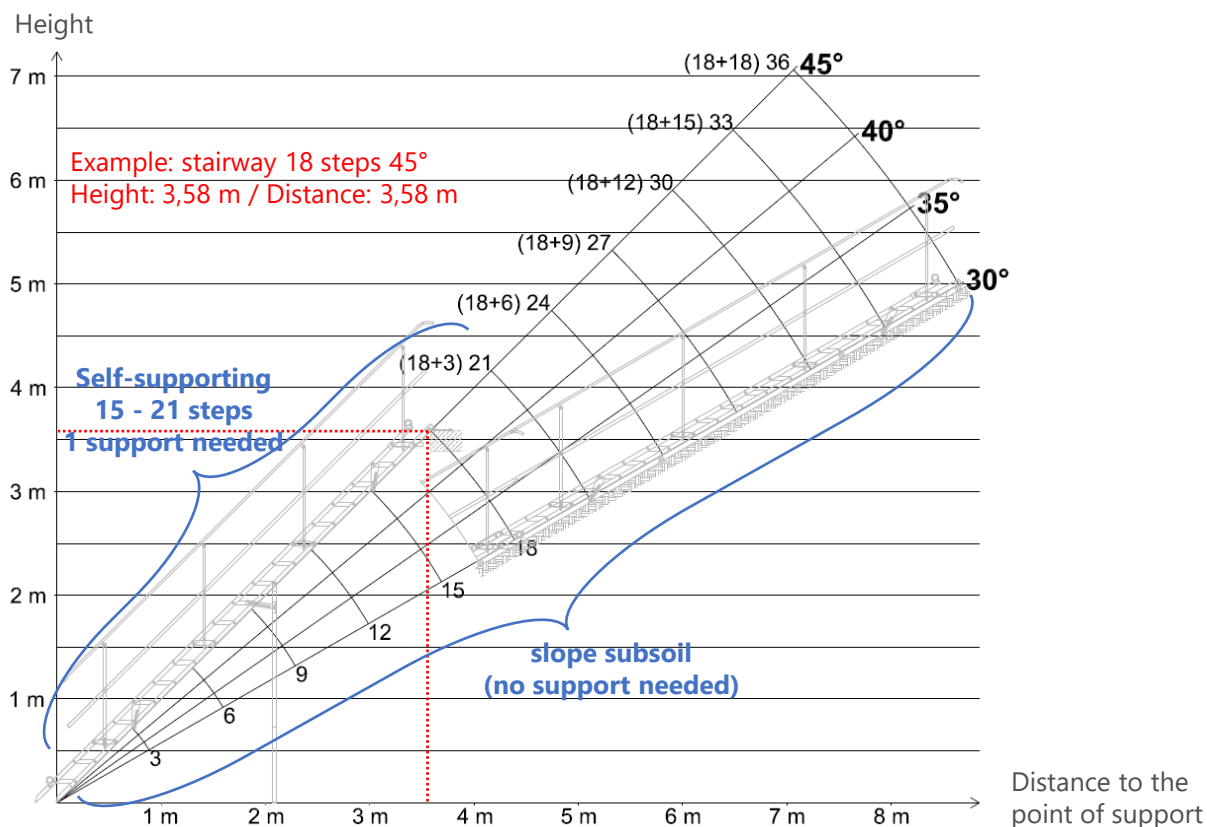


- Max. 21 steps (1 support needed)
Height: 3,00 m - 4,70 m
- Max. 2 self-supported stairways connected

Example: Stairway 21 steps (18+3)

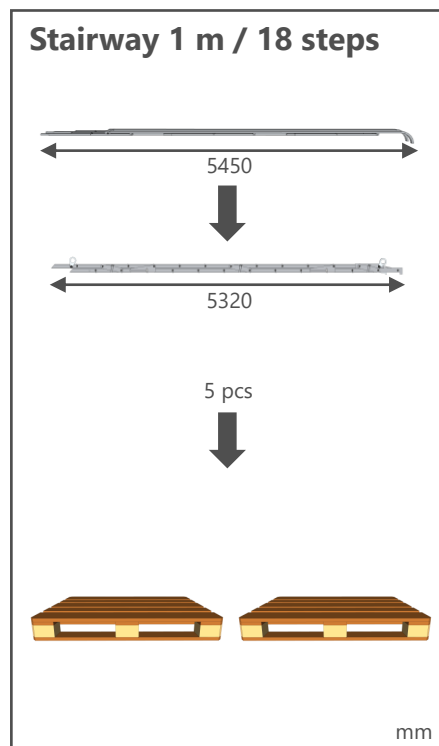
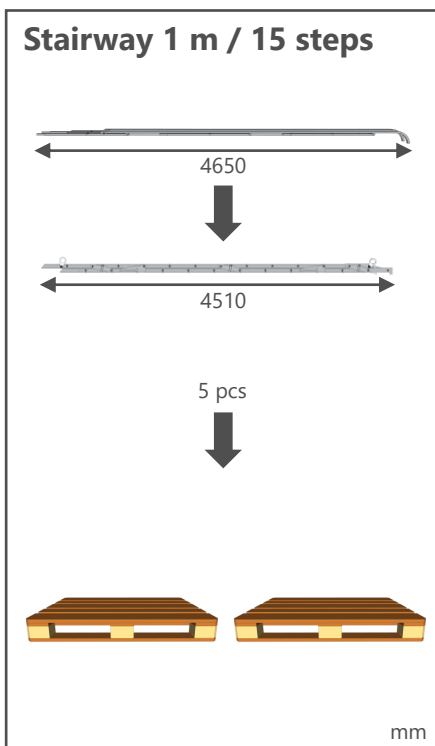
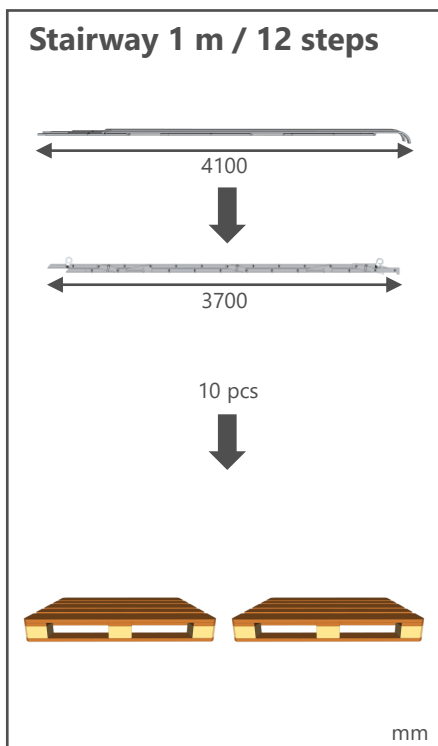
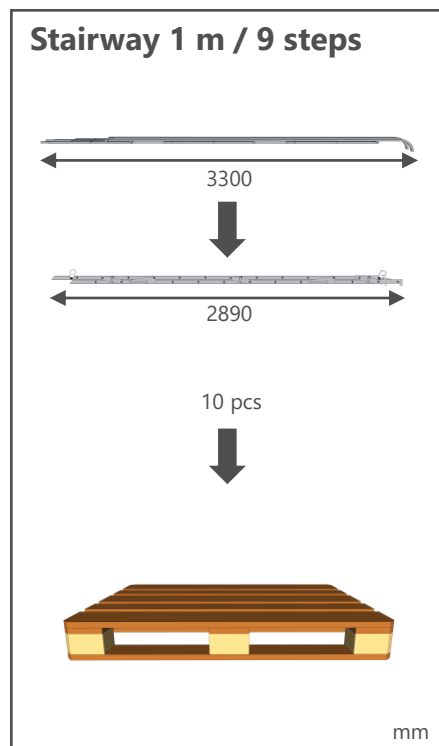
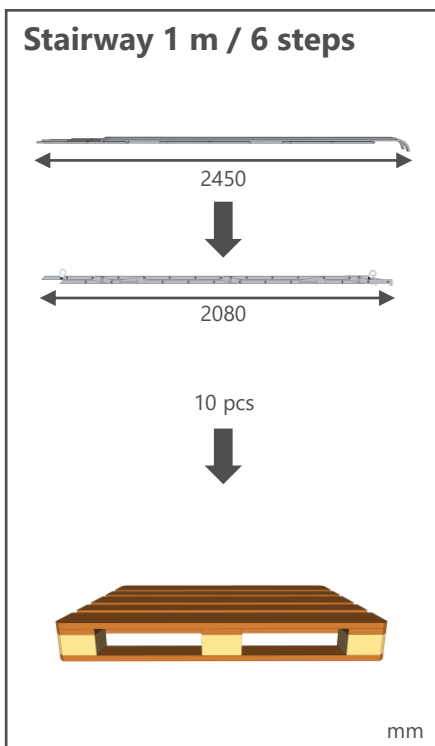
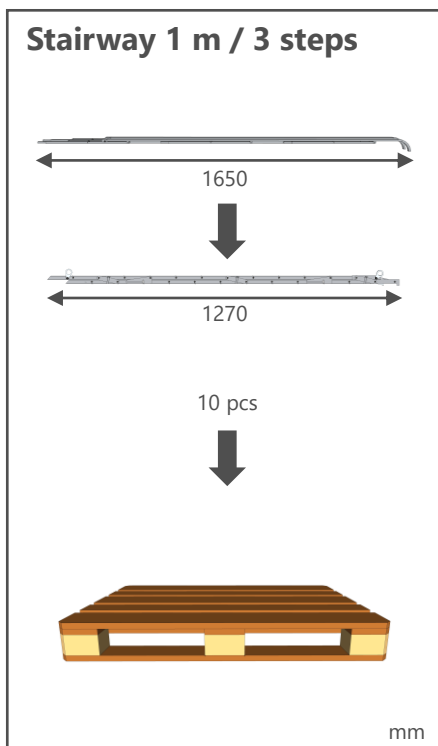


Inclination Diagram



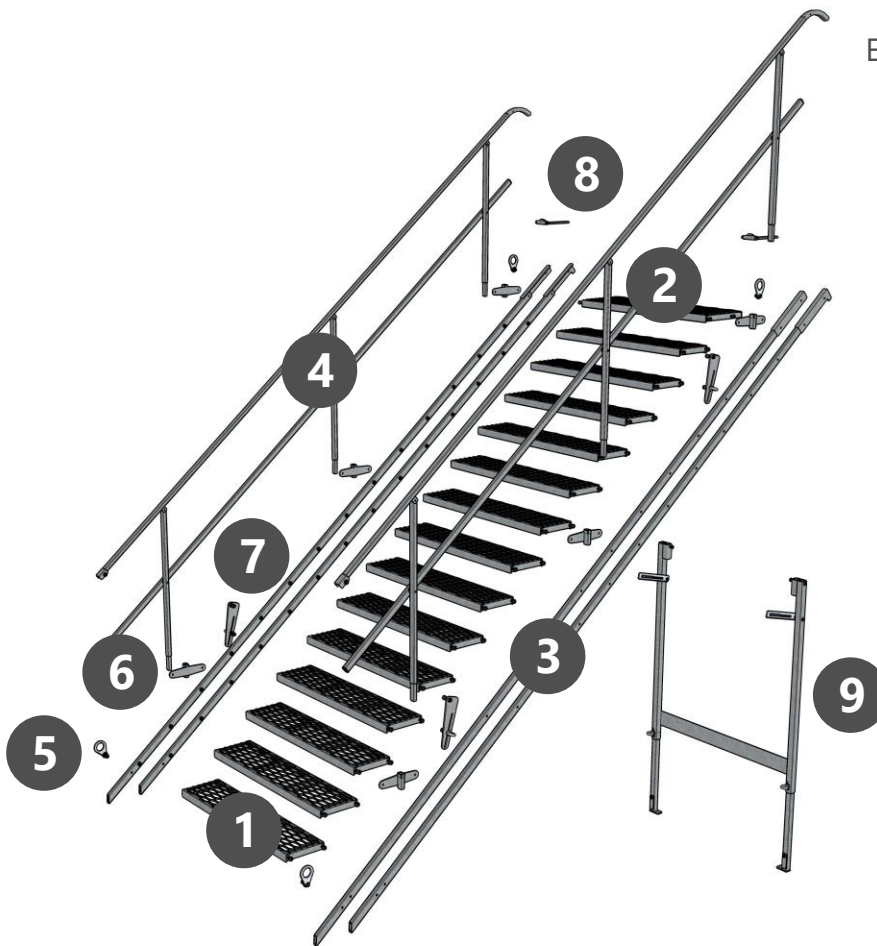
- >21 steps only on an slope subsoil
- >2 stairways connected only on an slope subsoil

Packaging



Components

Example for 15-step Stairway



No.	Art. No.	Description	Picture	No.	Art. No.	Description	Picture	
1	2079744	Step 1 m Standard		4	2079730 2079731 2079732 2079733 2079734 2079735	Guardrail 3 Guardrail 6 Guardrail 9 Guardrail 12 Guardrail 15 Guardrail 18		
2	2079745	Step 1 m Big			5	2079740	Crane Hook	
3	Stairway Art.-No. - A	Side Beam 3-18 top left			6	2079747	Guardrail Holder	
	Stairway Art.-No. - B	Side Beam 3-18 top right			7	2079741	Lock	
	Stairway Art.-No. - C	Side Beam 3-18 bottom left			8	2079746	Slabfix	
	Stairway Art.-No. - D	Side Beam 3-18 bottom right			9	2079720	Support 1 m	

Tammet Oy
Metallikutomonkatu 1
10600 Tammisaari

www.tammet.fi
info@tammet.fi
+358 201 450 201

