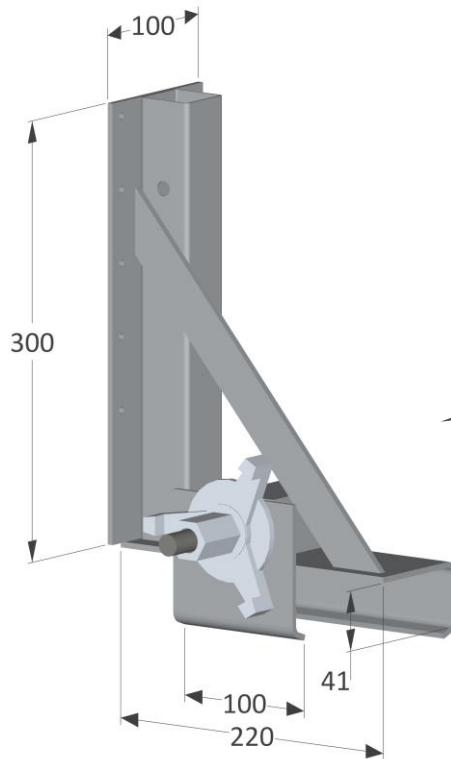


## H20 Wooden Beam Clamp

Item no.: 2079551  
 4,95 kg  
 EN 13374 A

[mm]



100 pcs  
 ~560 kg

