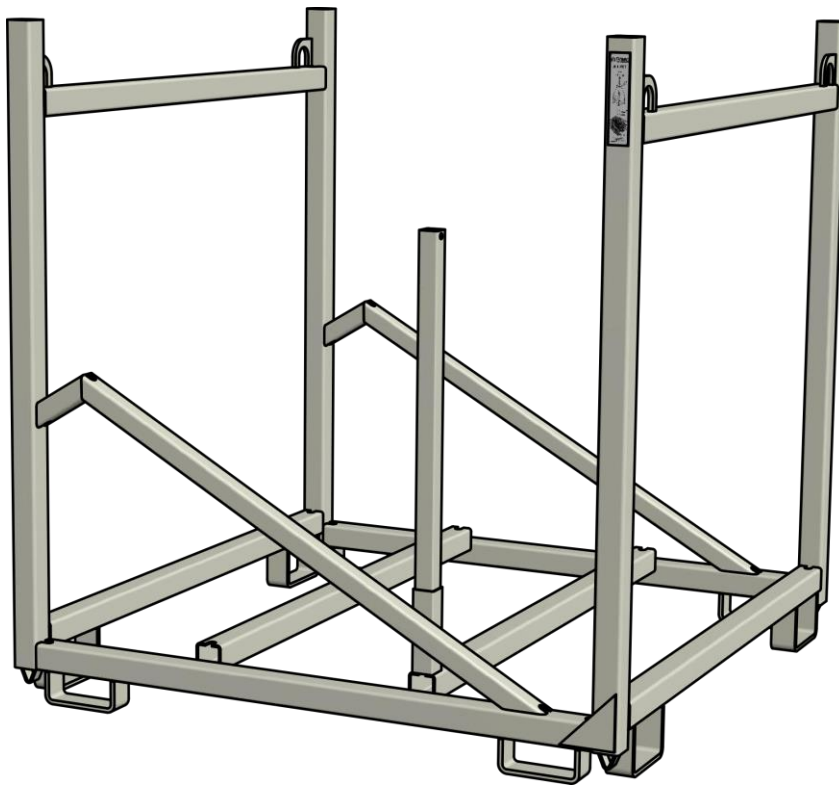


**Barrier Frame for
Bent Mesh Barriers**
1210x1210x1260 mm, Stackable
Item no.: 0T0012Z
93,5 kg



For Bent Mesh Barriers

- 2078571 (65 pcs)
- 2078572 (65 pcs)

[mm]